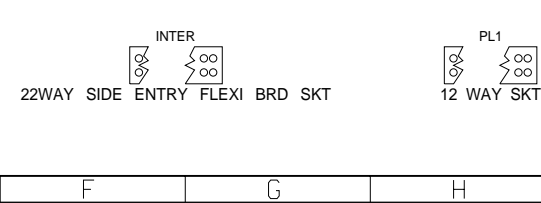


05B	CCO	1603/009	CM			02/02/00
05A	CCO	1603-008	TS			15-12-99
04B	CCO	1603/007	TS			18-11-99
04A	CCO	1603/004	CJK			05/11/99
03A	CCO	1603/003	CJK	SP		6/10/99
02A	CCO	1603/001 & 002	CJK			24/09/99
01A	NEW PA	FOR 400-470 MHZ	CJK	JJ		10/06/99
REV/ISS	AMENDMENTS		DRAWN	CHKD	D.O.	APVD DATE

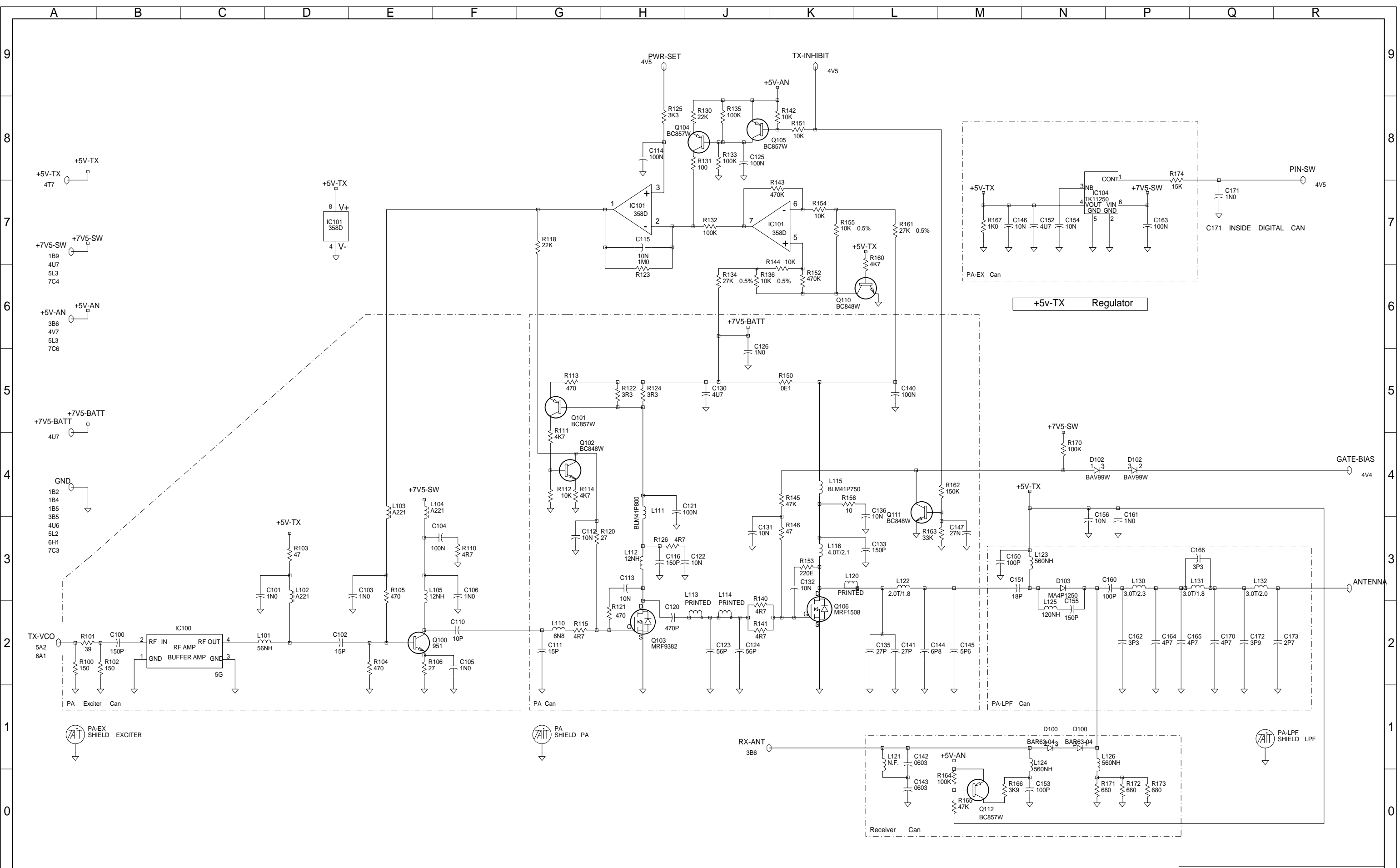


© TAIT ELECTRONICS

ORCA : 400-470MHZ
SYSTEM DIAGRAM

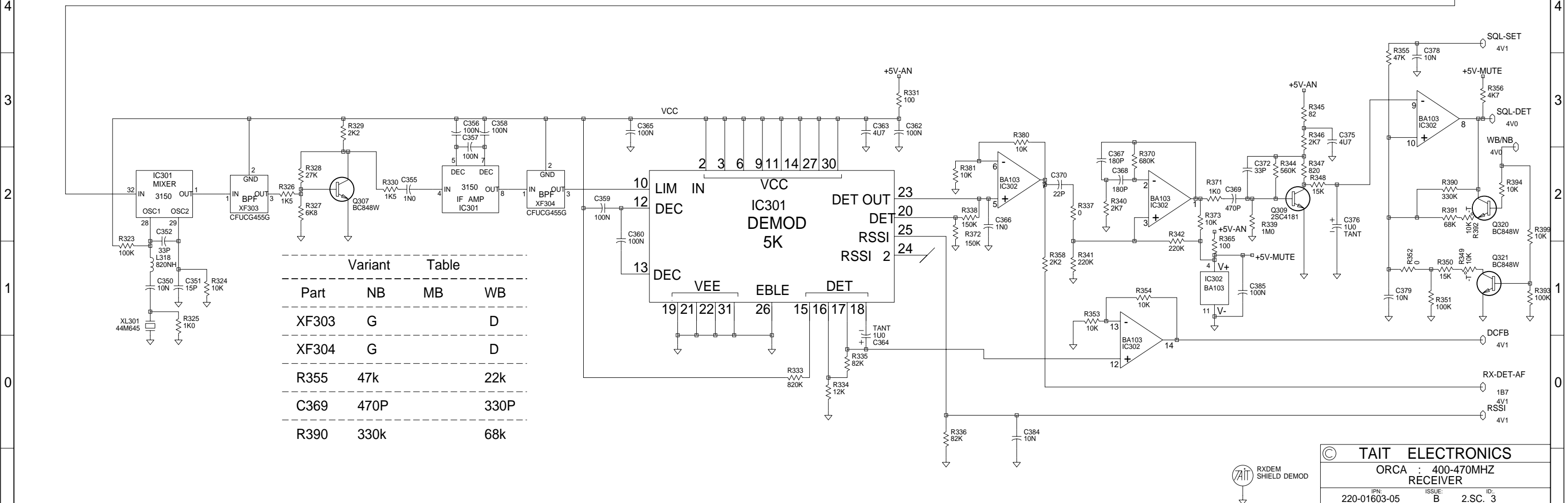
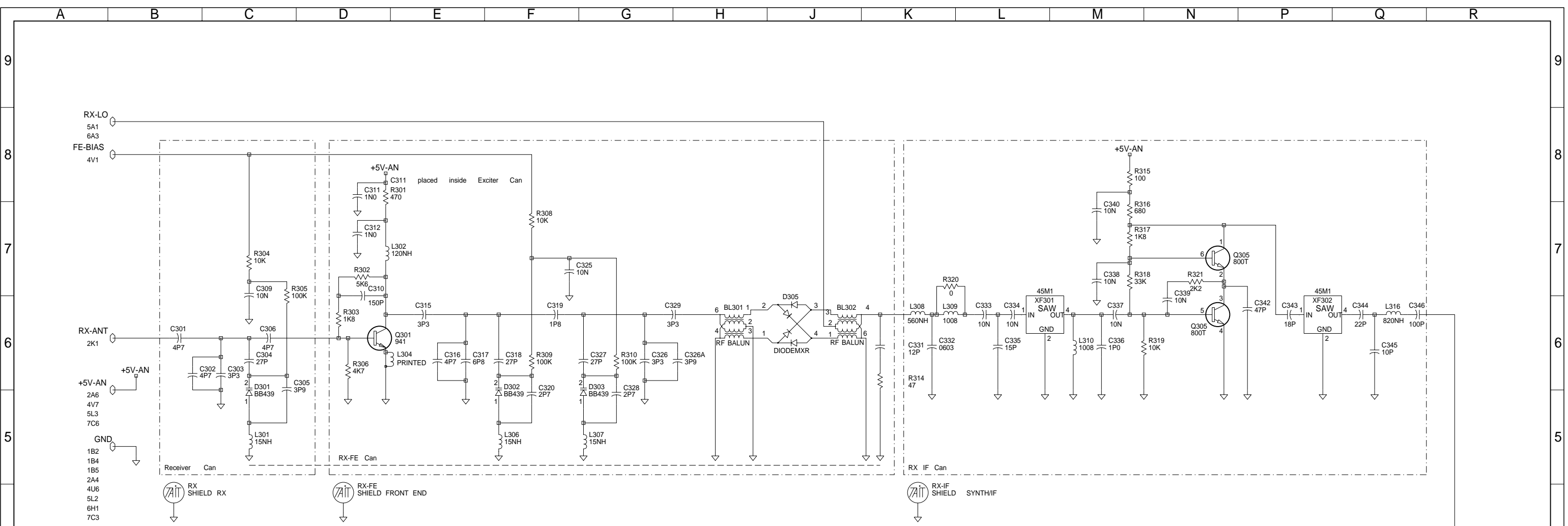
IPN: 220-01603-05 ISSUE: B ID: 2.S.C. 1

PROJECT: ORCA DESIGNER: CJK/CM FILE NAME: 160305b DATE: 2-Feb-00 NO.SHEETS: 7



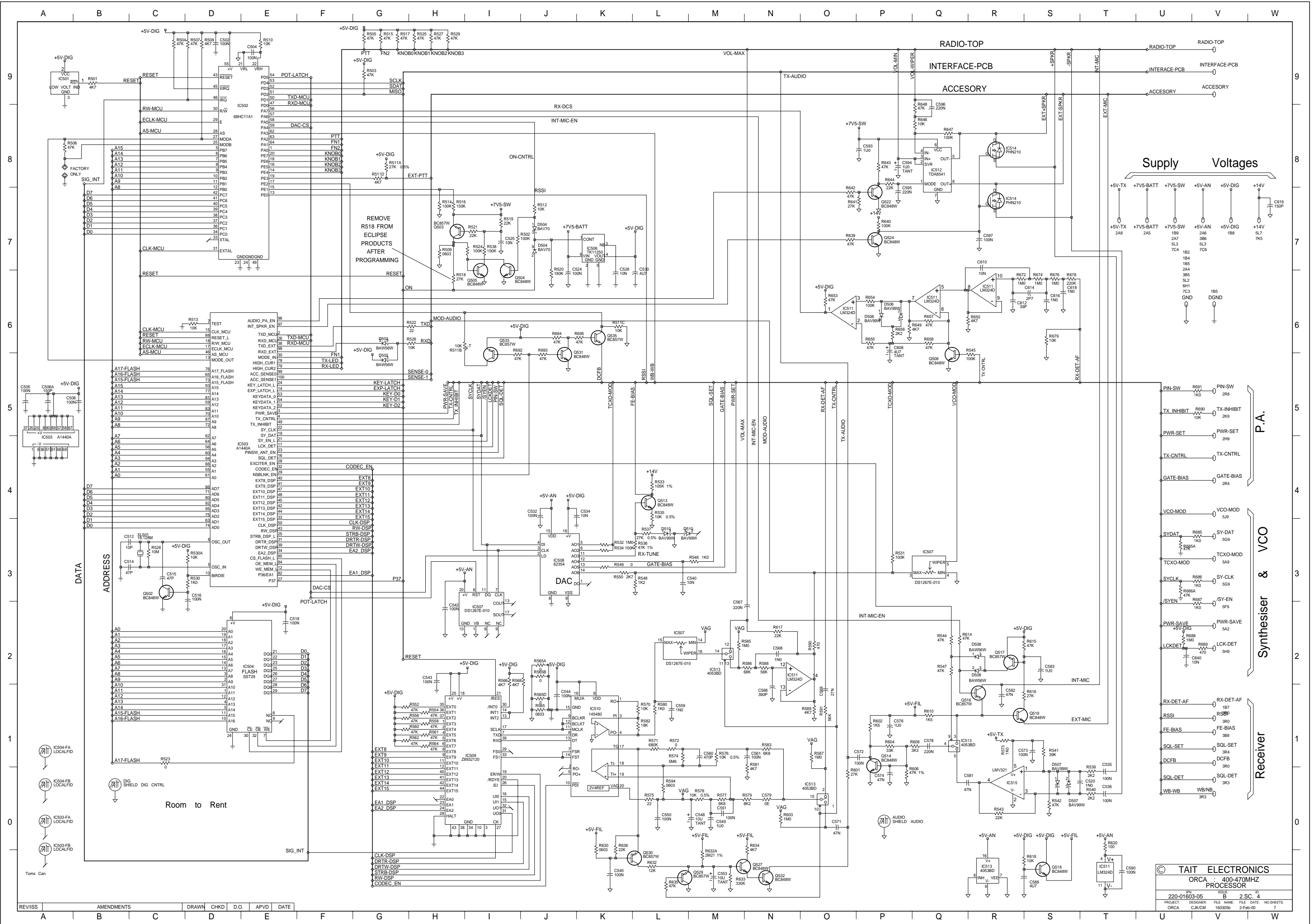
© TAIT ELECTRONICS
 ORCA : 400-470MHZ
 POWER AMPLIFIER
 IPN: 220-01603-05 ISSUE: B ID: 2.S.C. 2
 PROJECT: ORCA DESIGNER: CJK/CM FILE NAME: 160305b FILE DATE: 2-Feb-00 NO.SHEETS: 7

REV/ISS	AMENDMENTS	DRAWN	CHKD	D.O.	APVD	DATE
A						



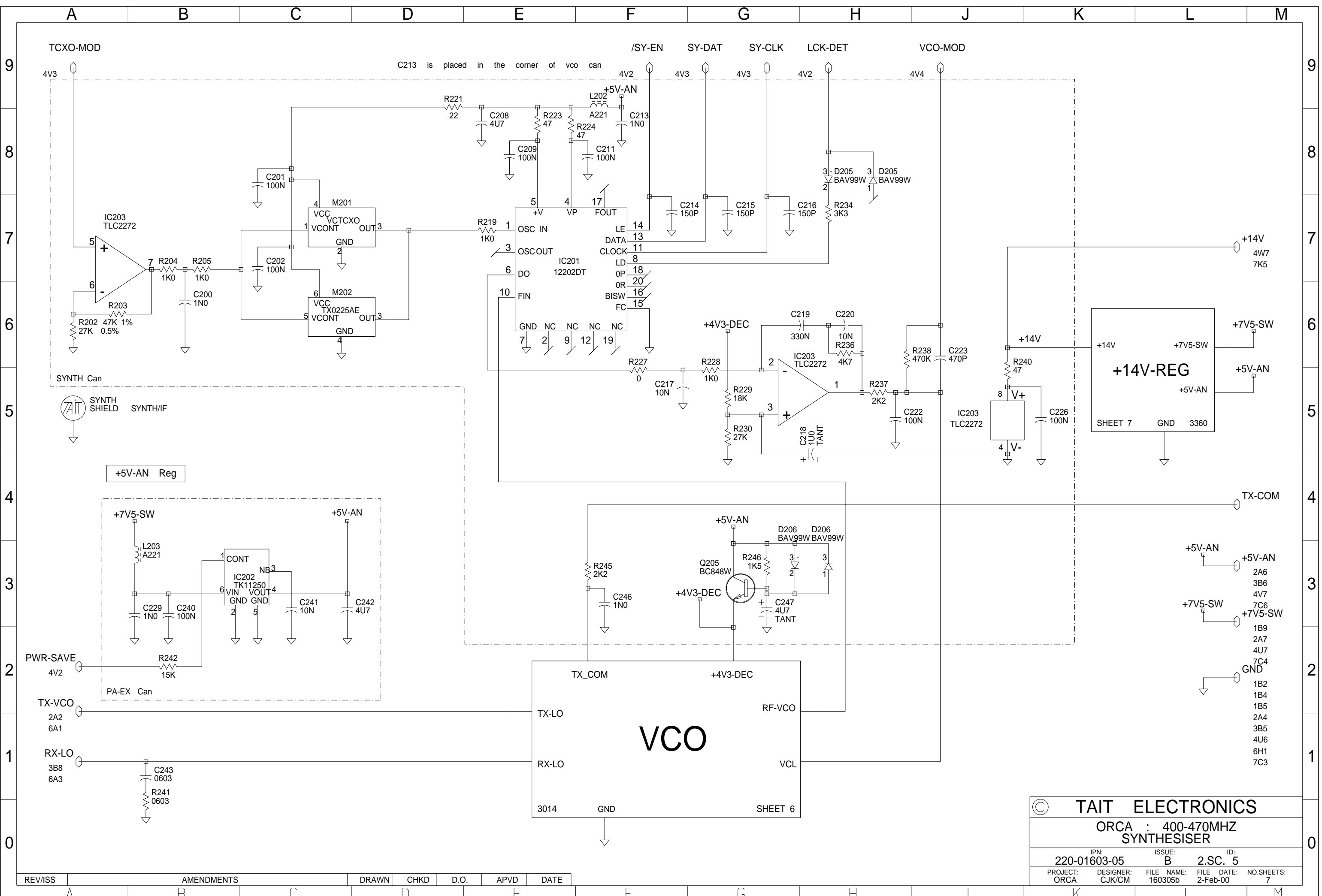
REV/ISS	AMENDMENTS	DRAWN	CHKD	D.O.	APVD	DATE

© TAIT ELECTRONICS
 ORCA : 400-470MHZ RECEIVER
 IPN: 220-01603-05 ISSUE: B ID: 2.S.C. 3
 PROJECT: ORCA DESIGNER: CJK/CM FILE NAME: 160305b DATE: 2-Feb-00 NO.SHEETS: 7



© TAIT ELECTRONICS
 ORCA : 400-470MHZ
 PROCESSOR
 220-01603-05 B 2-SC 4
 PROJECT: 220-01603-05 DESIGNED: FILE: DATE: NO. SHEETS: 7
 ORCA CJK/M 160305b 2-Feb-00

REV/ISS	AMENDMENTS	DRAWN	CHKD	D.O.	APVD	DATE
A						



C213 is placed in the corner of vco can

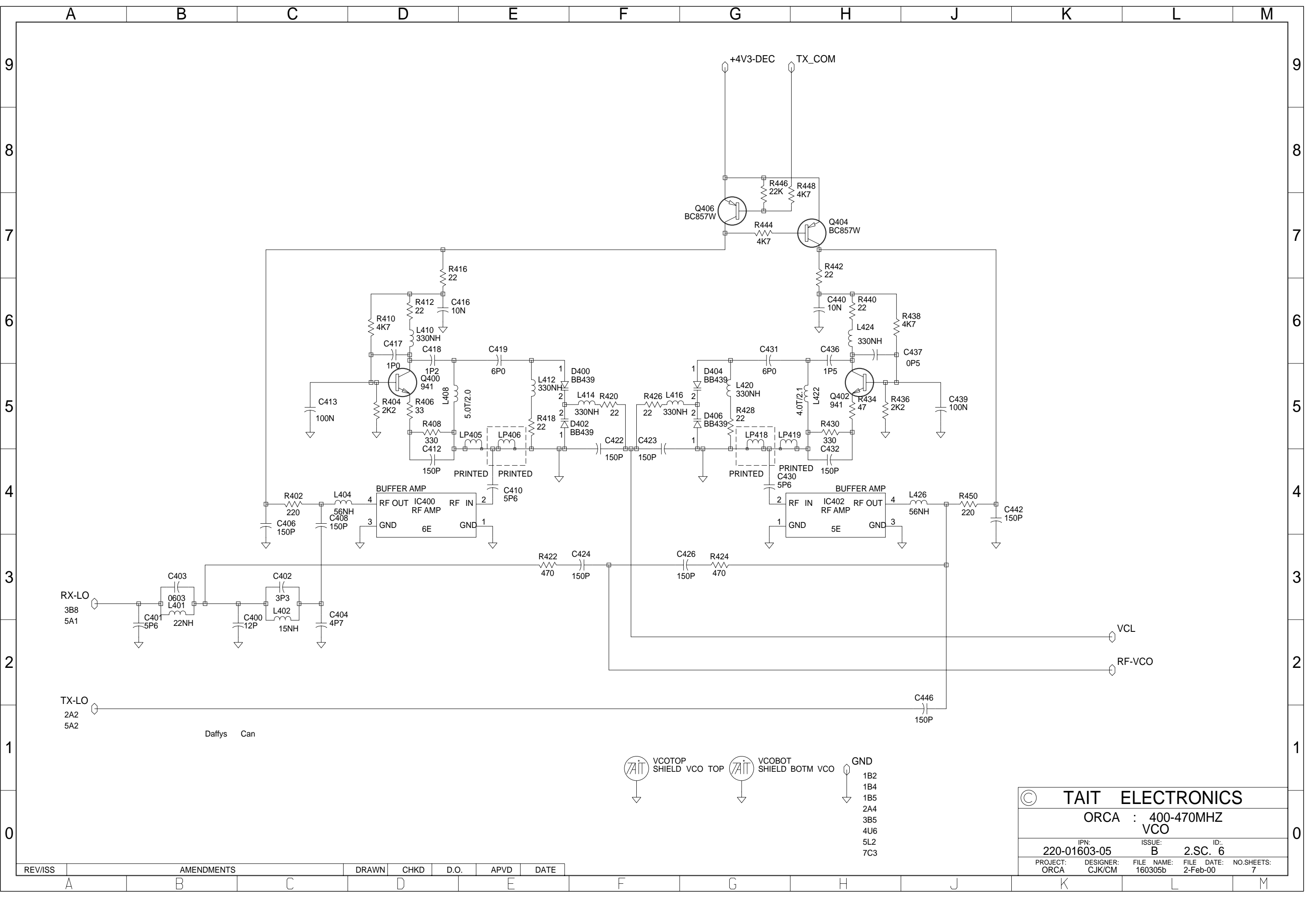
+14V-REG
SHEET 7
GND 3360

VCO
3014
GND
SHEET 6

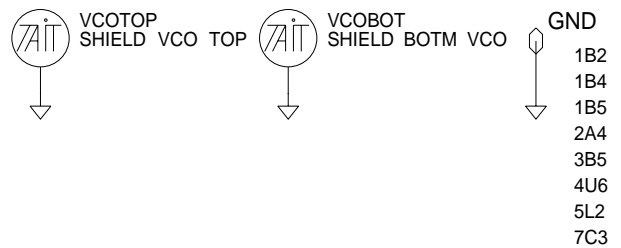
© TAIT ELECTRONICS				
ORCA : 400-470MHZ SYNTHESISER				
IPN:	ISSUE:	ID:		
220-01603-05	B	2.SC. 5		
PROJECT:	DESIGNER:	FILE NAME:	FILE DATE:	NO.SHEETS:
ORCA	CJK/CM	160305b	2-Feb-00	7

REV/ISS	AMENDMENTS	DRAWN	CHKD	D.O.	APVD	DATE
---------	------------	-------	------	------	------	------

- +5V-AN 2A6
- +5V-AN 3B6
- +5V-AN 4V7
- +7V5-SW 7C6
- +7V5-SW 1B9
- +7V5-SW 2A7
- +7V5-SW 4U7
- +7V5-SW 7C4
- GND 1B2
- GND 1B4
- GND 1B5
- GND 2A4
- GND 3B5
- GND 4U6
- GND 6H1
- GND 7C3

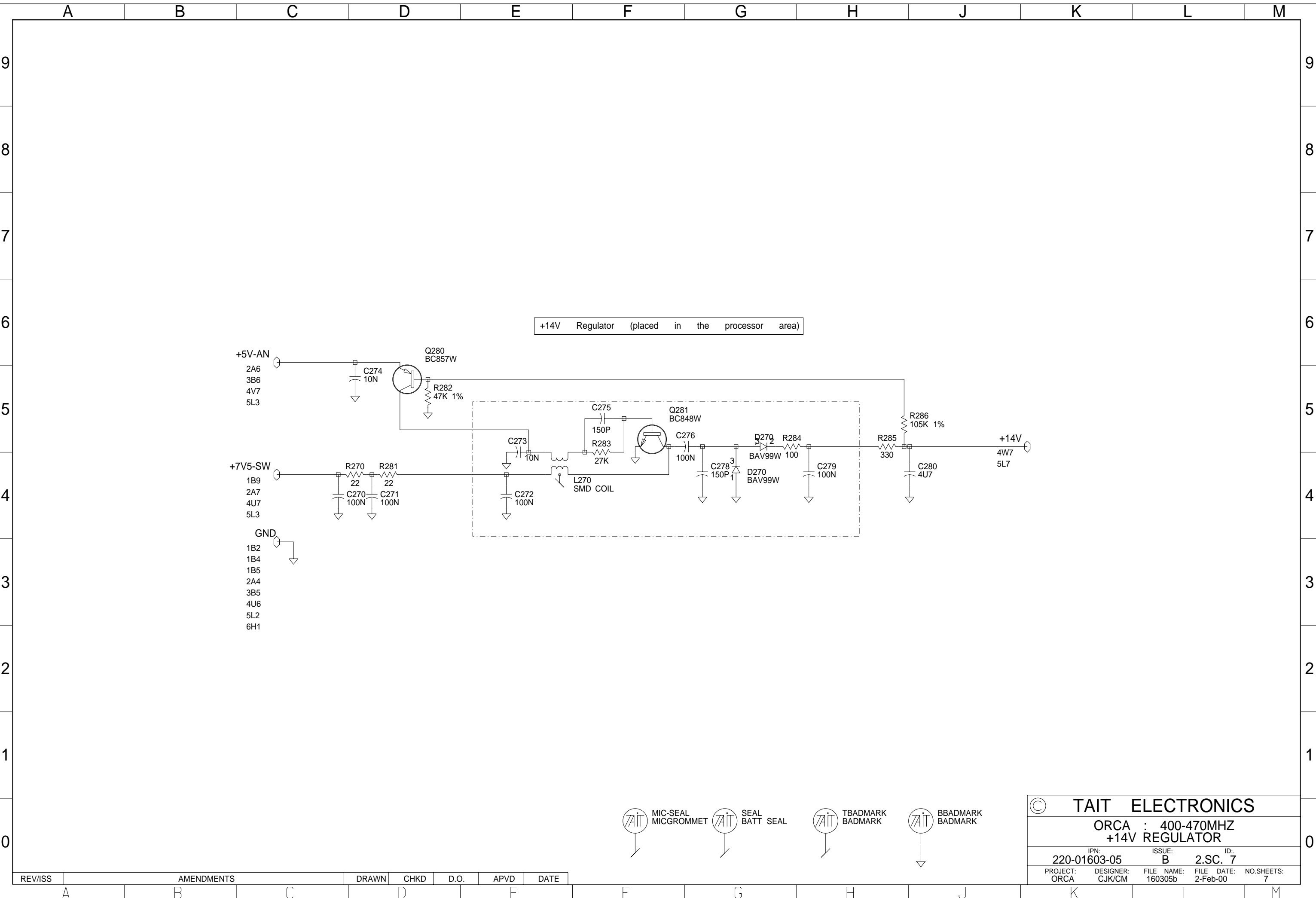


Daffys Can







© TAIT ELECTRONICS				
ORCA : 400-470MHZ VCO				
IPN:	ISSUE:	ID:		
220-01603-05	B	2.SC. 6		
PROJECT:	DESIGNER:	FILE NAME:	FILE DATE:	NO.SHEETS:
ORCA	CJK/CM	160305b	2-Feb-00	7

REV/ISS	AMENDMENTS	DRAWN	CHKD	D.O.	APVD	DATE



+14V Regulator (placed in the processor area)

- 
 MIC-SEAL
 MICGROMMET
- 
 SEAL
 BATT SEAL
- 
 TBADMARK
 BADMARK
- 
 BBADMARK
 BADMARK

© TAIT ELECTRONICS				
ORCA : 400-470MHZ +14V REGULATOR				
IPN: 220-01603-05	ISSUE: B	ID: 2.SC. 7		
PROJECT: ORCA	DESIGNER: CJK/CM	FILE NAME: 160305b	FILE DATE: 2-Feb-00	NO.SHEETS: 7

REV/ISS	AMENDMENTS	DRAWN	CHKD	D.O.	APVD	DATE